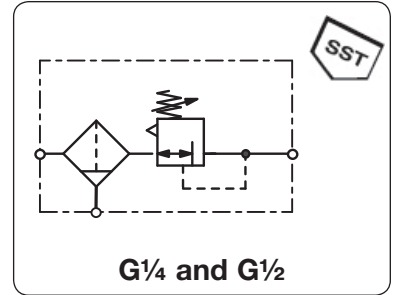


Description	Regulator of small, compact design, ideal for limited space conditions. Application examples are the chemistry, petroleum processing as well as food industry and medical technology.
Media	compressed air, gases or liquids
Supply pressure	max. 21 bar
Adjustment	by plastic knob with snap-lock, optionally by T-handle at B558
Relieving function	relieving, optionally non-relieving
Gauge port	G $\frac{1}{4}$ on both sides of the body, screw plugs supplied
Filter element	20 μ m at B548, 40 μ m at B11, made of polypropylene
Bowl	stainless steel version without sight glass
Drainage	manual drain as standard for max. 21 bar, optionally automatic drain for max. 12 bar
Temperature range	0 °C to 80 °C / 32 °F to 176 °F, max. 50 °C / 122 °F at automatic drain version
Material	Body: stainless steel 316, material no. 1.4401 Spring cage: glass fibre-reinforced plastic at B11 and B548, stainless steel 316 / 1.4401 at B558 Elastomer: FKM Inner valve: stainless steel 316, material no. 1.4401 and plastic



Dimensions			Bowl capacity l	Flow rate m ³ /h*1	Supply Connection max. thread bar	Pressure range bar	Order number
A	B	C					

Miniature filter pressure regulator							manual drain, relieving, w/o gauge, 20 μ m filter element	B548-S
40	156	95	0.04	27	450	21	G $\frac{1}{4}$	0.2...1.8 B548-02DHAS 0.2...4.0 B548-02DHBS 0.3...9.0 B548-02DHCS



B548, accessory: gauge

"Midi" filter pressure regulator							manual drain, relieving, w/o gauge, 40 μ m filter element	B11-S
62	216	125	0.12	138	2300	21	G $\frac{1}{2}$	0.2...1.8 B11-04DJAS 0.2...4.0 B11-04DJBS 0.3...9.0 B11-04DJCS 0.5...17 B11-04DJDS



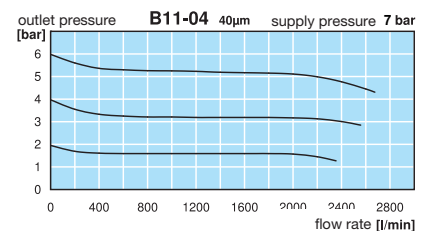
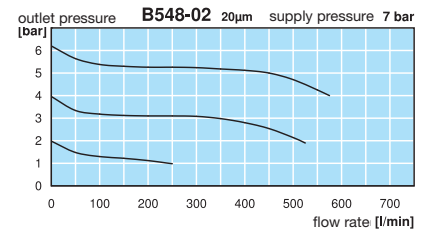
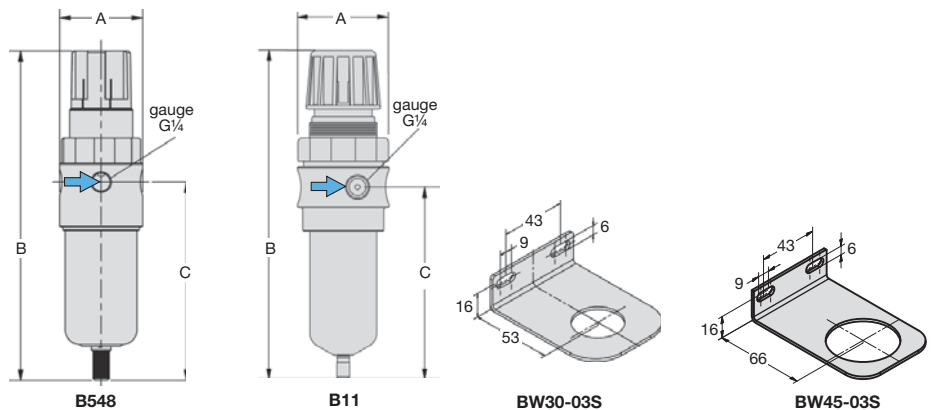
B11, accessory: gauge

Special options, add the appropriate letter

5 μm filter element		B...-0...G...
NPT	connection thread	B...-0...N
automatic drain	made of SST, SA10MDSS, max. 12 bar	for B11 B11-04...R
non-relieving	without relieving function	B...-0...K
SST spring cage	incl. SST adjusting screw, height B = 141 mm	for B548 B558-02D...
	incl. SST adjusting screw, height B = 246 mm	for B11 B12-04D...

Accessories

pressure gauge	\varnothing 40 mm, 0...*2 bar, G $\frac{1}{4}$	for B548	MS4002-...*2
	\varnothing 50 mm, 0...*2 bar, G $\frac{1}{4}$	for B11	MS5002-...*2
mounting bracket		for B548	BW30-03S
mounting nut		for B548	M30x1,5S
mounting bracket		for B11	BW45-03S
mounting nut		for B11	M45x1,5S



*1 at 7 bar supply pressure, 6 bar outlet pressure and 1 bar pressure drop *2 04 = 0...4 bar, 10 = 0...10 bar, 16 = 0...16 bar

Extensions: see chapter for FRL service units
Gauges: see chapter for measuring devices
Spare parts: see separate spare parts list

PDF CAD
www.aircom.net

Order example:
B548-02DHAS

